



EWR/H 40 and 60 Parts Manual

American Dryer Corporation
88 Currant Road
Fall River MA 02720-4781 USA
Telephone: +1 (508) 678-9000 / Fax: +1 (508) 678-9447
e-mail: techsupport@amdry.com

www.adclaundry.com

Retain This Manual In A Safe Place For Future Reference

American Dryer Corporation products embody advanced concepts in engineering, design, and safety. If this product is properly maintained, it will provide many years of safe, efficient, and trouble free operation.

ONLY qualified technicians should service this equipment.

OBSERVE ALL SAFETY PRECAUTIONS displayed on the equipment or specified in the installation manual included with the dryer.

The following “**FOR YOUR SAFETY**” caution must be posted near the dryer in a prominent location.

FOR YOUR SAFETY

Do not store or use gasoline or other flammable vapors and liquids in the vicinity of this or any other appliance.

POUR VOTRE SÉCURITÉ

Ne pas entreposer ni utiliser d'essence ni d'autres vapeurs ou liquides inflammables à proximité de cet appareil ou de tout autre appareil.

We have tried to make this manual as complete as possible and hope you will find it useful. ADC reserves the right to make changes from time to time, without notice or obligation, in prices, specifications, colors, and material, and to change or discontinue models.

Important

For your convenience, log the following information:

DATE OF PURCHASE _____ **MODEL NO.** _____

RESELLER'S NAME _____

Serial Number(s) _____

Replacement parts can be obtained from your reseller or the ADC factory. When ordering replacement parts from the factory, you can FAX your order to ADC at (508) 678-9447 or telephone your order directly to the ADC Parts Department at (508) 678-9000. Please specify the dryer model number and serial number in addition to the description and part number, so that your order is processed accurately and promptly.

The illustrations on the following pages may not depict your particular dryer exactly. The illustrations are a composite of the various dryer models. Be sure to check the descriptions of the parts thoroughly before ordering.

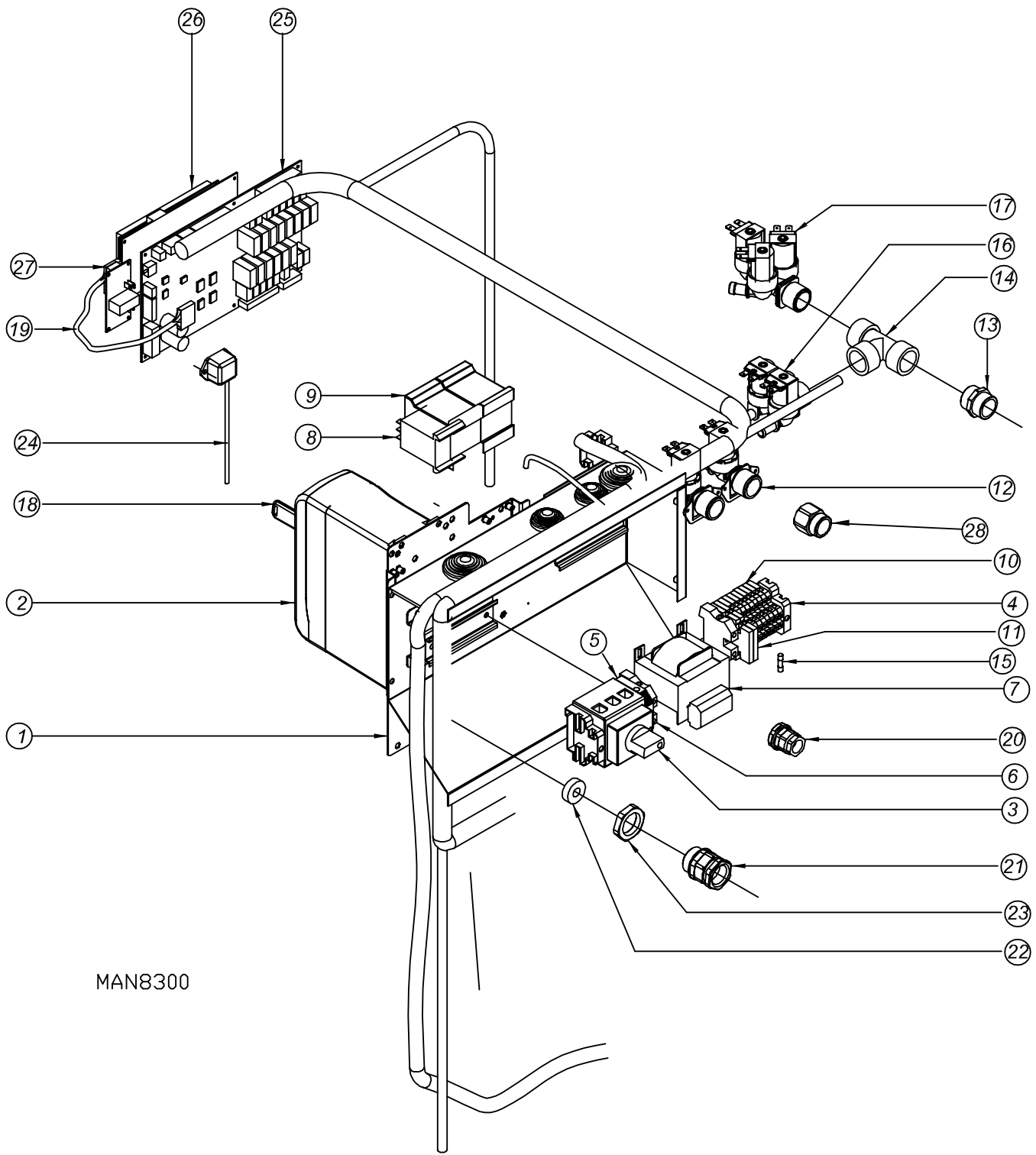
“IMPORTANT NOTE TO PURCHASER”

Information must be obtained from your local gas supplier on the instructions to be followed if the user smells gas. These instructions must be posted in a prominent location near the dryer.

Table of Contents

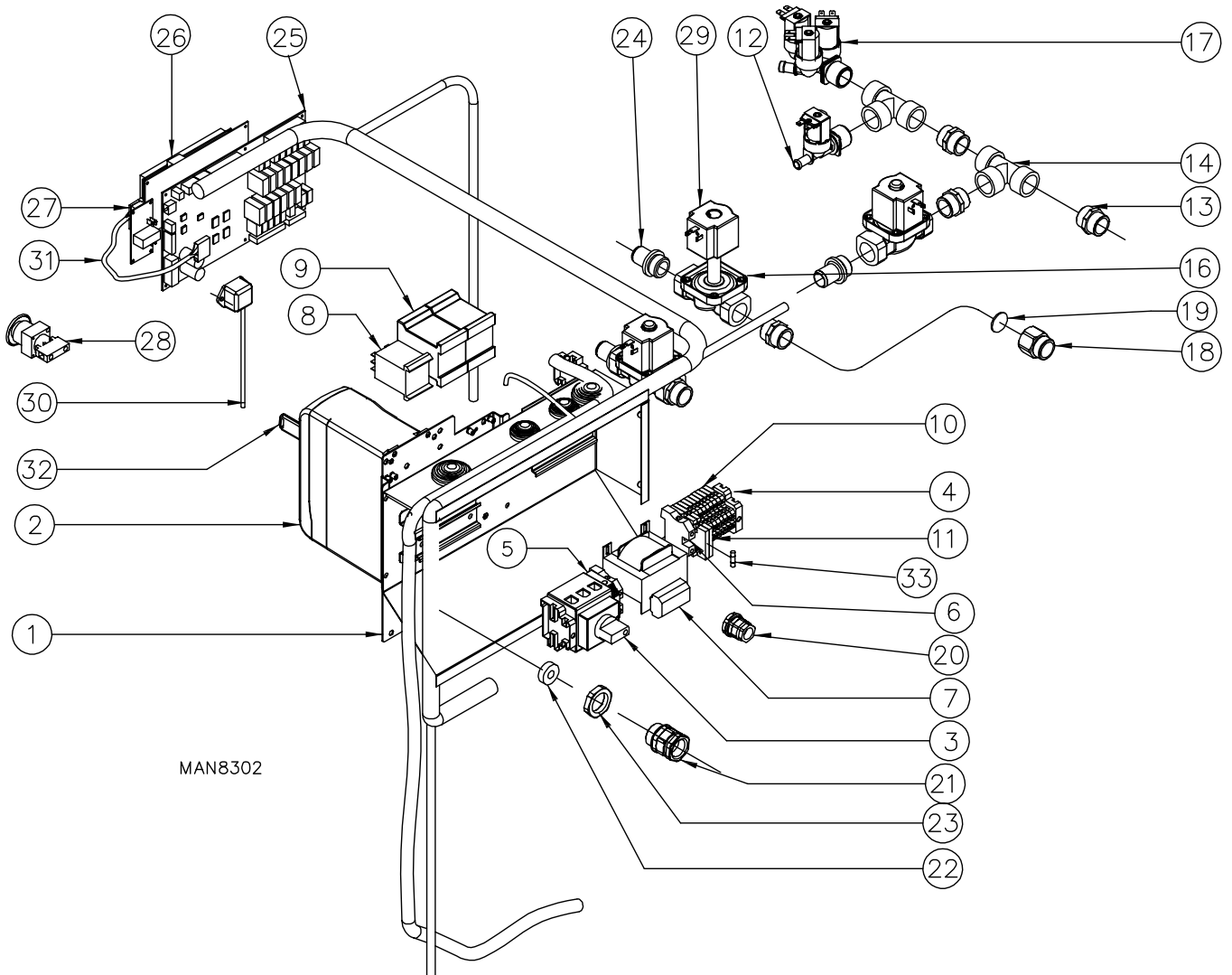
Outer Panels and Guards	4
Electronics and Valves for EWR/H-40	6
Electronics and Valves for EWR/H-60	8
Coin Acceptor and Vault	10
Front Panel and Door	12
Door Lock Assembly (for models mfd. as of June 2015)	14
Door Lock Assembly (for models mfd. prior to June 2015)	15
Drum and Drive System	16
Soap Box and Drains	18
Drum Assembly	20
Drum Bearings	23
Frame and Support	24

<u>Illus. No.</u>	<u>Part No.</u>	<u>Qty.</u>	<u>Description</u>
1	500500	2	Side Panel EWR-40
	500501	2	Side Panel EWH-40
	500182	2	Side Panel EWR-60
	500200	2	Side Panel EWH-60
2	500504	1	Front Panel EWR-40
	500505	1	Front Panel EWH-40 and EWR-60
	500506	1	Front Panel EWH-60
	500183	1	Lower Front Panel (EWH-60 Only)
3	500436	1	Lower Back EWR-40
	500187	1	Lower Back EWH-40 and EWR-60
	500510	1	Lower Back EWH-60
4	500507	1	Rear Panel EWR-40
	500508	1	Rear Panel EWH-40 and EWR-60
	500512	1	Rear Panel EWH-60
5	500514	1	Worktop EWR-40
	500515	1	Worktop EWH-40
	500188	1	Worktop EWR-60
	500513	1	Worktop EWH-60
	500239	2	Worktop Corner (for models mfd. as of February 25, 2013)
	500238	2	Worktop Corner (for models mfd. prior to February 25, 2013)
6	500240	1	Front Panel Trim Bumper
7	500433	1	Imbalance Sensor Holder
8	500242	1	Imbalance Magnet Holder
9	500154	1	Imbalance Magnet
10	500130	1	Adhesive ADC-EcoWash M
	500116	1	Adhesive ADC-EcoWash MC
	500161	1	Adhesive EcoWash MP
11	500244	10	Piton
12	500245	1	Tray Seal
13	500437	1	Countercontrol Holder EWR-40
	500516	1	Countercontrol Holder EWH-40 and EWR-60
	500194	1	Countercontrol Holder EWR-60
14	500145	2	Tubular Lock
	500118	1	Plane Door Switch
15	500247	2	Worktop Lock Ramp
16	500128	1	Control Panel EWR-40 MC/MR
	500440	1	Control Panel EWR-40 MP
	500431	1	Control Panel EWH-40 and EWR-60 MC/MR
	500468	1	Control Panel EWH-40 and EWR-60 MP
	500471	1	Control Panel EWH-60 MC/MR
	500472	1	Control Panel EWH-60 MP
17	500250	1	Solenoid Valve Support EWR-40
	500185	1	Solenoid Valve Support EWH-40 and EWR-60
	500198	1	Solenoid Valve Support EWH-60
18	500120	1	Simple Pressure Switch
	500251	1	Pressure Support
	500189	1	TS-4 Joint
19	500167	1	Magnetic Sensor UL



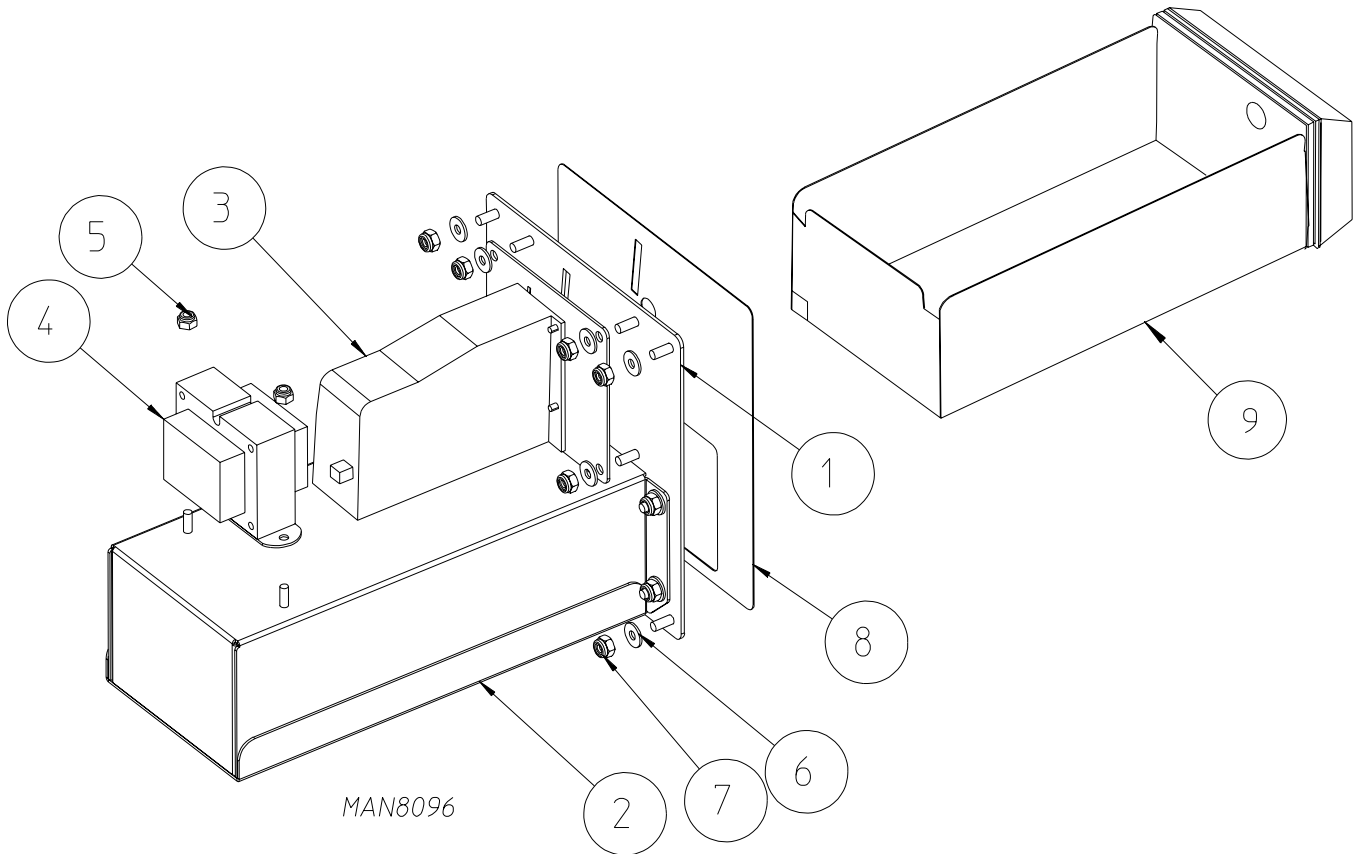
MAN8300

<u>Illus. No.</u>	<u>Part No.</u>	<u>Qty.</u>	<u>Description</u>
1	500252	1	Electrical Panel Holder EWR-40
	500632	1	Electrical Panel Holder EWH-40, EWR-60, and EWH-60
2	500913	1	VFD EWR-40 for Models Built with "Delta" VFD
	500915	1	VFD EWH-40 for Models Built with "Delta" VFD
	884486	1	VFD EWR-40 and EWH-40 for Models Built with "Emerson" VFD
3	500255	1	32a Disconnect
	500256	1	63a Disconnect (electric heat only)
4	500257	3	End Stop
5	500258	1	Blue Terminal
6	500259	1	Earth Terminal
	500260	1	Ear. Terminal 10 Wpe-10103.o
7	500261	1	Transformer 18-0-18 V
8	500112	–	230V 50/60 Hz 20 A Relay with NO Contact
	500143	–	230V 50/60 Hz 20 A Relay with NC Contact
9	500113	–	230v Ac 50/60hz 20a Contactor with NC Contact (hot water flush contactor)
	500114	–	230v Ac 50/60hz 20a Contactor with NO Contact (inverter / element contactor)
10	500262	–	Dispenser Terminal Strip
11	500263	2	Fuseholder Terminal
12	500123	–	Double Solenoid Valve (for models without heating option)
	500102	–	Single Solenoid Valve (for models with heating option)
13	500264	1	3/4" Connection
14	500265	1	Tee Fitting
15	500881	1	4-amp Fuse
16	500123	–	Double Solenoid Valve
17	500103	1	Triple Solenoid Valve
18	500173	1	Plc Programmed for EWR-40
	500649	1	Plc Programmed for EWH-40
19	500517	1	Communication Cable (for M, MR, and MC)
20	500270	1	Small Wire Conduit
21	500271	1	Large Wire Conduit
22	500272	1	Rubber Grommet
23	500273	1	Large Wire Conduit Fastener
24	500165	1	Vibration Sensor
	500080	1	Control Card 20v Ac 50/60hz M, MR, and MC Models
	500275	1	Control Card 20v Ac 50/60hz MP Models
25	500170	1	4-amp Fuse
	500276	1	Computer Display Board M, MR, and MC Models
	500277	1	Computer Display Board MP Models
	500174	–	Spacer M3
26	500278	1	Bridge Power Connector M, MR, and MC Models
	500279	1	Power Switch MP Models
27	500133	2	Adapter 3/4" Bsp - Nh



<u>Illus. No.</u>	<u>Part No.</u>	<u>Qty.</u>	<u>Description</u>
1	500632	1	Electrical Panel Holder
2	500920	1	VFD EWR-60 for Models Built with "Delta" VFD
	500909	1	VFD EWH-60 for Models Built with "Delta" VFD
	500913	1	VFD EWR-60 for Models Built with "Emerson" VFD
	500909	1	VFD EWH-60 for Models Built with "Emerson" VFD
3	500255	1	32a Disconnect
	500256	1	63a Disconnect (electric heat only)
4	500257	3	End Stop
5	500258	1	Blue Terminal
6	500259	1	Earth Terminal
	500260	1	Ear. Terminal 10 Wpe-10103.o
7	500261	1	Transformer 18-0-18 V
8	500112	–	230V 50/60 Hz 20 A Relay with NO Contact
	500143	–	230V 50/60 Hz 20 A Relay with NC Contact
9	500114	–	230v Ac 50/60hz 20a Contactor with NC Contact (inverter contactor)
	500113	–	230v Ac 50/60hz 20a Contactor with NO Contact (heating contactor)
10	500262	–	Dispenser Terminal Strip
11	500263	2	Fuseholder Terminal
12	500102	–	Single Solenoid Valve
13	500264	1	3/4" Connection
14	500265	1	Tee Fitting
15	500881	1	4-amp Fuse
16	500101	–	Solenoid Valve
17	500103	1	Triple Solenoid Valve
18	500133	2	Adapter 3/4" Bsp - Nh
19	500142	–	Filter Screen
20	500270	1	Small Wire Conduit
21	500271	1	Large Wire Conduit
22	500272	1	Rubber Grommet
23	500273	1	Large Wire Conduit Fastener
24	500640	1	Hose Connector
25	500080	1	Control Card 20v Ac 50/60hz M, MR, and MC Models
	500275	1	Control Card 20v Ac 50/60hz MP Models
	500170	1	4-amp Fuse
26	500276	1	Computer Display Board M, MR, and MC Models
	500277	1	Computer Display Board MP Models
	500174	–	Spacer M3
27	500278	1	Bridge Power Connector M, MR, and MC Models
	500279	1	Power Switch MP Models
28	500281	1	E-Stop Switch
29	500057	1	Solenoid Valve Coil
30	500165	1	Vibration Sensor
31	500517	1	Communication Cable
32	500650	1	Plc Programmed for EWR-60
	500653	1	Plc Programmed for EWH-60

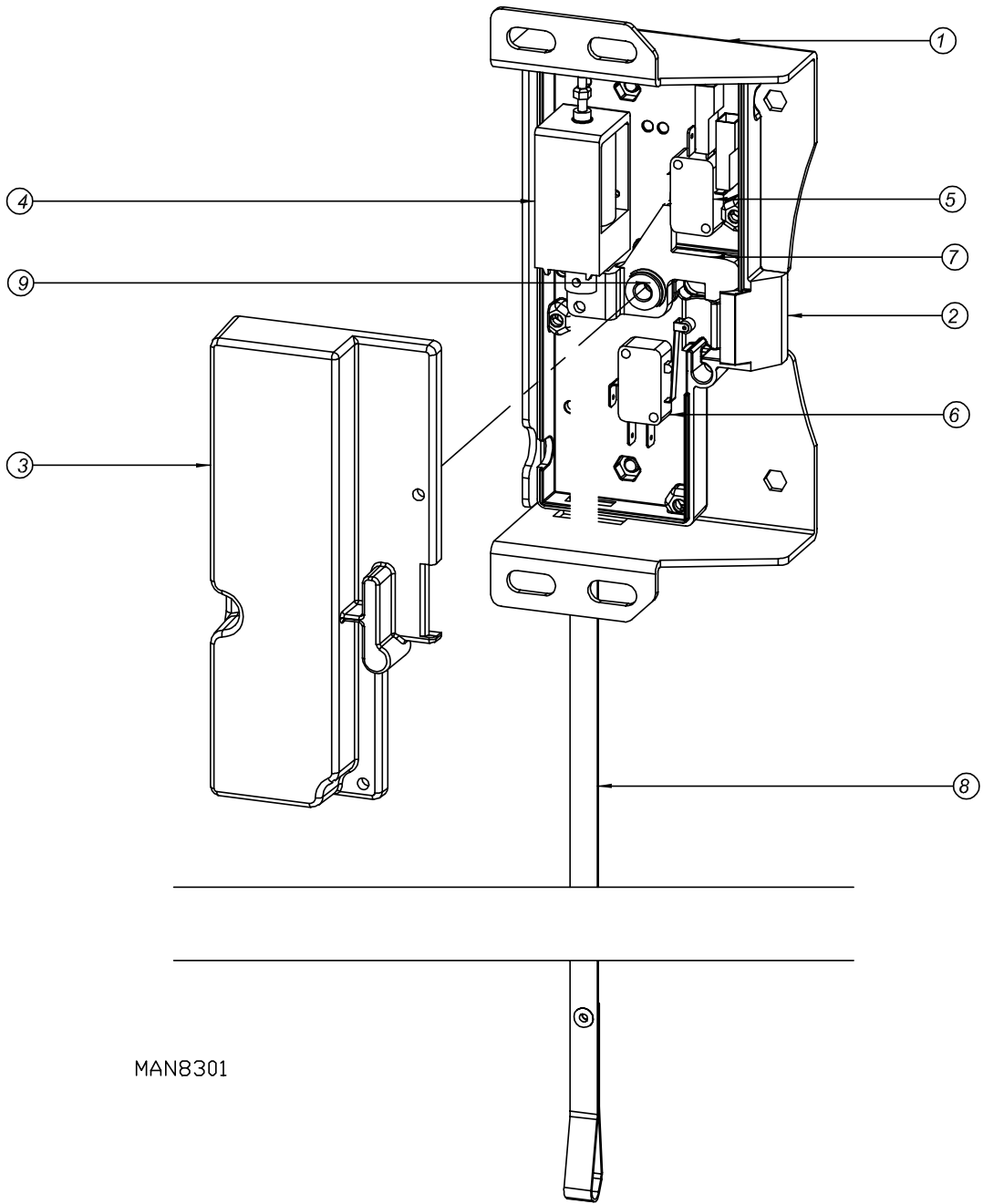
Coin Acceptor and Vault



<u>Illus. No.</u>	<u>Part No.</u>	<u>Qty.</u>	<u>Description</u>
1	828323	1	Coin Acceptor Faceplate Clinch Assembly (stainless steel)
2	828324	1	Coin Vault
3	825822	1	EcoWash Programmable Coin Acceptor Assembly USD CAD MXN
	828496	1	EcoWash Programmable Coin Acceptor Assembly Taiwan and Japan
	828567	1	EcoWash Programmable Coin Acceptor Assembly Malaysia
	828579	1	EcoWash Programmable Coin Acceptor Assembly Australia and Hong Kong
4	825823	1	EcoWash Coin Acceptor Transformer Assembly
5	152029	2	#8-32 Stainless Nylon Insert Hex Nut
6	154362	12	0.192 ID 0.500 OD Stainless Steel Flat Washer
7	151015	12	#10-32 Nylon Insert Hex Nut (stainless steel)
8	500115	1	EcoWash Acceptor Faceplate Sticker
9	125917	1	Coin Box

<u>Illus. No.</u>	<u>Part No.</u>	<u>Qty.</u>	<u>Description</u>
1	500593	1	Compl. Tub Front EWR-40
	500286	1	Compl. Tub Front EWH-40 and EWR-60
	500594	1	Compl. Tub Front EWH-60
2	500288	1	Tub Lock EWR-40
	500595	–	Tub Lock EWH-40 and EWR-60
	500596	–	Tub Lock EWH-60
3	500289	1	Tub Lock Screw
4	500290	2	Grower Lock
5	500291	1	Tub Lock Nut
6	500196	1	Main Door
	500827	1	Complete Handle
	500700	1	Door Handle Base
	500828	1	Door Handle
	500829	1	Door Handle “Eco-Wash” Logo
7	500293	2	Door Hinge
8	500295	1	Door Base
	500296	1	Front Panel Gasket
	500297	1	Adhesive
9	500093	1	Door Seal
10	500300	1	Door Window
	500301	1	Grey Rubber Gasket
11	500941	1	Pressure Switch
			(for models mfd. as of July 20, 2015)
	500302	1	Pressure Switch
			(for models mfd. prior to July 20, 2015)
12	500303	1	Pipe Union
			(for models mfd. prior to July 20, 2015)
13	500304	2	Clamp
			(for models mfd. prior to July 20, 2015)
14	500930	1	Complete Lock Assembly
15	500805	1	Lock Trim
16	500308	1	Lid Closure
17	500309	1	Lock Hook
18	500169	1	Bushing
19	500168	1	Circlip
20	500310	4	Hinge Wedge
21	500311	2	Door Pin
22	500910	2	Door Pin Clip
23	500313	1	Pipe Support
24	500315	1	Tub Seal EWR-40
	500522	1	Tub Seal EWH-40 and EWR-60
25	500316	1	Black Rubber Hose
26	500828	1	Door Handle
27	500700	1	Door Handle Base
28	500831	1	Handle Spring
29	500830	2	Door Handle Pin
30	500829	1	Door Handle Label
31	500818	1	Pressure Switch Reducer
32	500189	1	Union for Pressure Switch
33	500970	1	Front Panel Seal

Door Lock Assembly (for models mfd. as of June 2015)

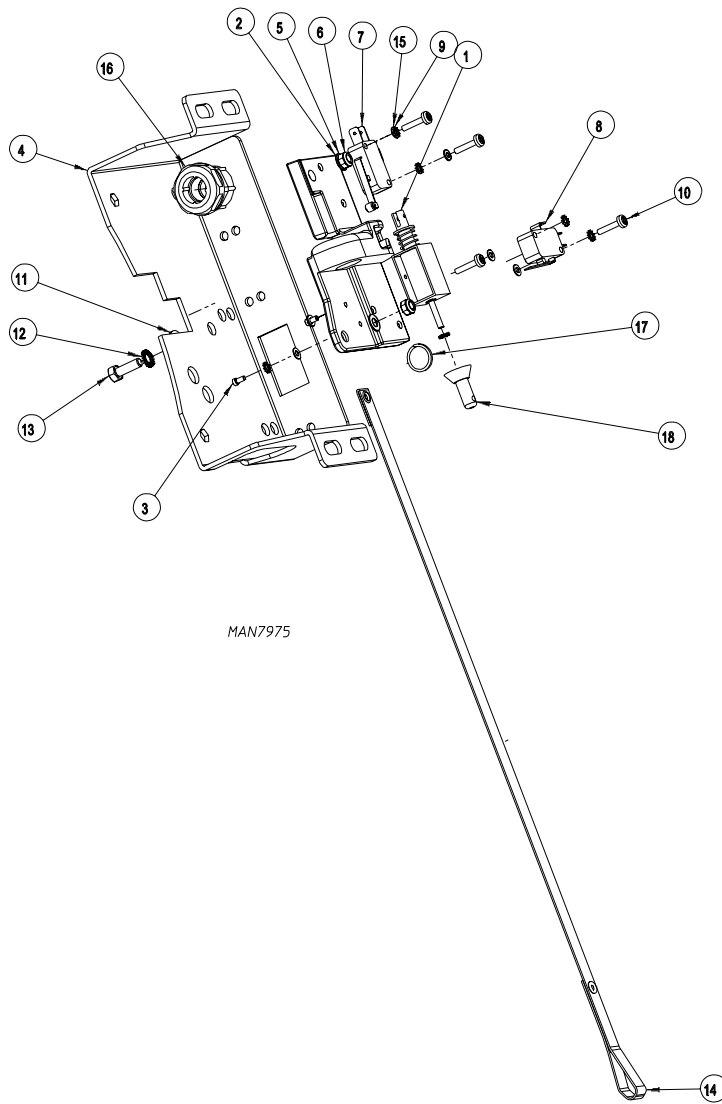


MAN8301

Illus. No.	Part No.	Qty.	Description
1	500942	1	Door Lock Bracket Only
	500930	1	Door Lock Assembly Complete
2	500943	1	Lock Base
3	500944	1	Door Lock Cover
4	500945	1	Lock Actuator
5	500122	1	Door Lock Switch
6	500946	1	Door Switch
7	500947	1	Door Lock Arm
8	500325	1	Door Pull
9	500948	1	Bushing
*	500932	1	PTC of the Door Lock 2015

* Not illustrated.

Door Lock Assembly (for models mfd. prior to June 2015)

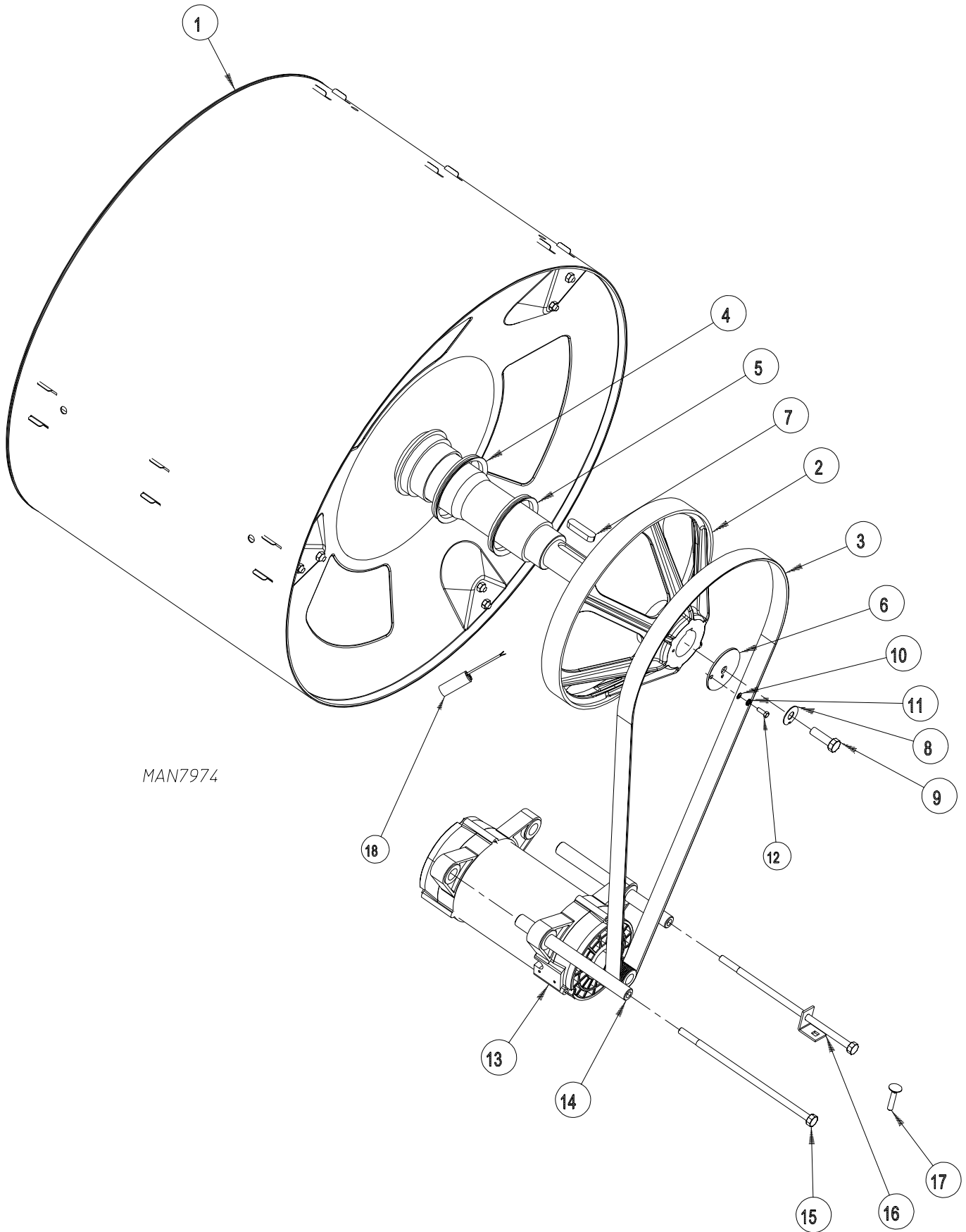


MAN7975

<u>Illus. No.</u>	<u>Part No.</u>	<u>Qty.</u>	<u>Description</u>
1	500117	1	Door Electromagnet
2	500119	1	Lock Base V3
3	500317	2	Allen Screw M2.5x5
4	500318	1	Lock Bracket
5	500319	2	Washer A5
6	500320	2	Self-lock Nut M5
7	500122	1	Door Switch
8	500118	1	Flat Door Switch
9	500177	8	Fan Washer A.3 A304
10	500321	4	Curved Screw M3x15
11	500322	1	Washer 16x6x1.2 A.304
12	500323	1	Fan Washer A5 A.304
13	500324	1	Hex Bolt M5x15 A.304
14	500325	1	Door Pull
15	500326	6	Flat Washer A3,Din125
16	500327	1	Wire Conduit
17	500328	1	Electromagnetic Ring
18	500329	1	Lock Actuator
*	500072	1	PTC of the Door Lock

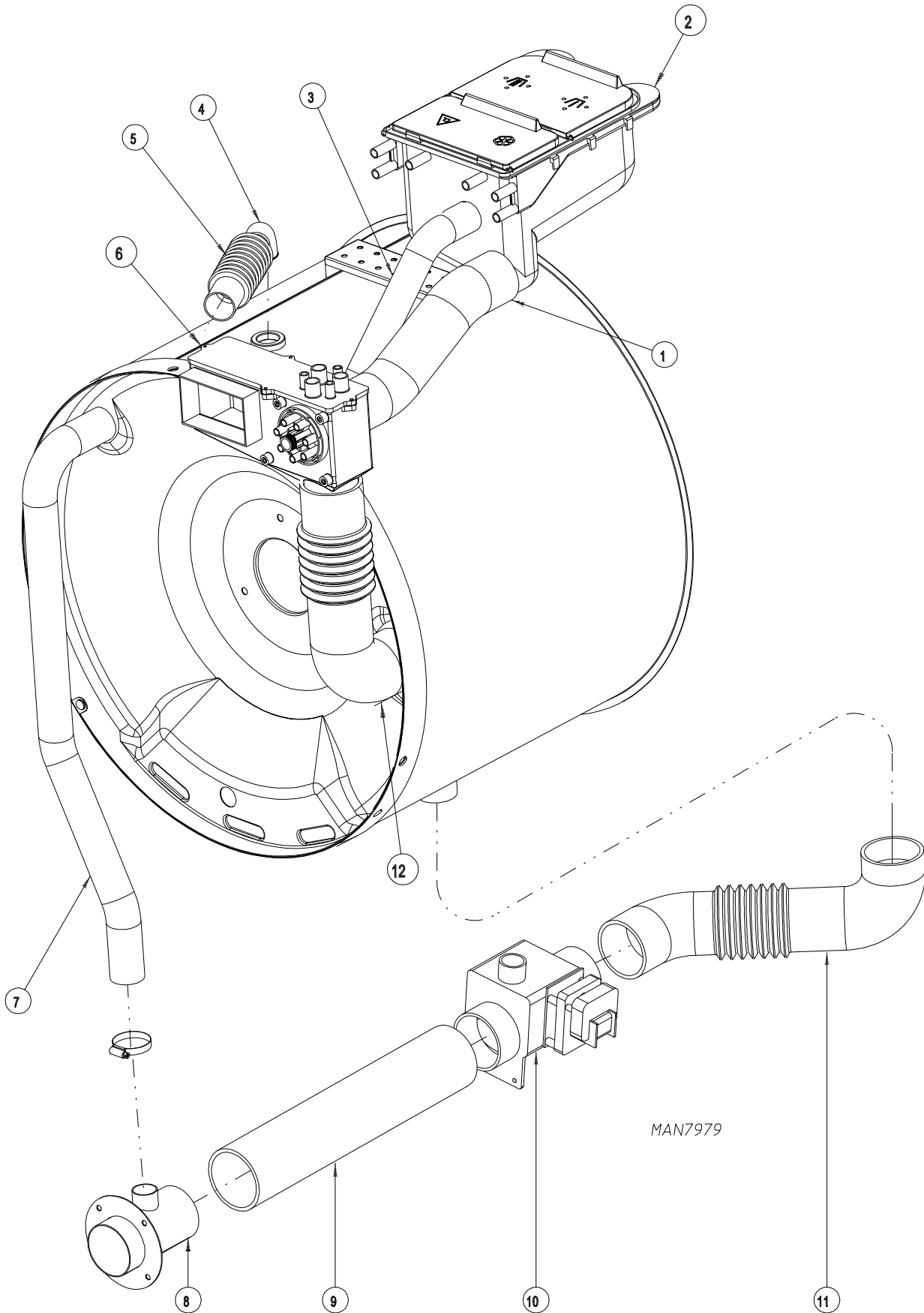
* Not illustrated.

Drum and Drive System



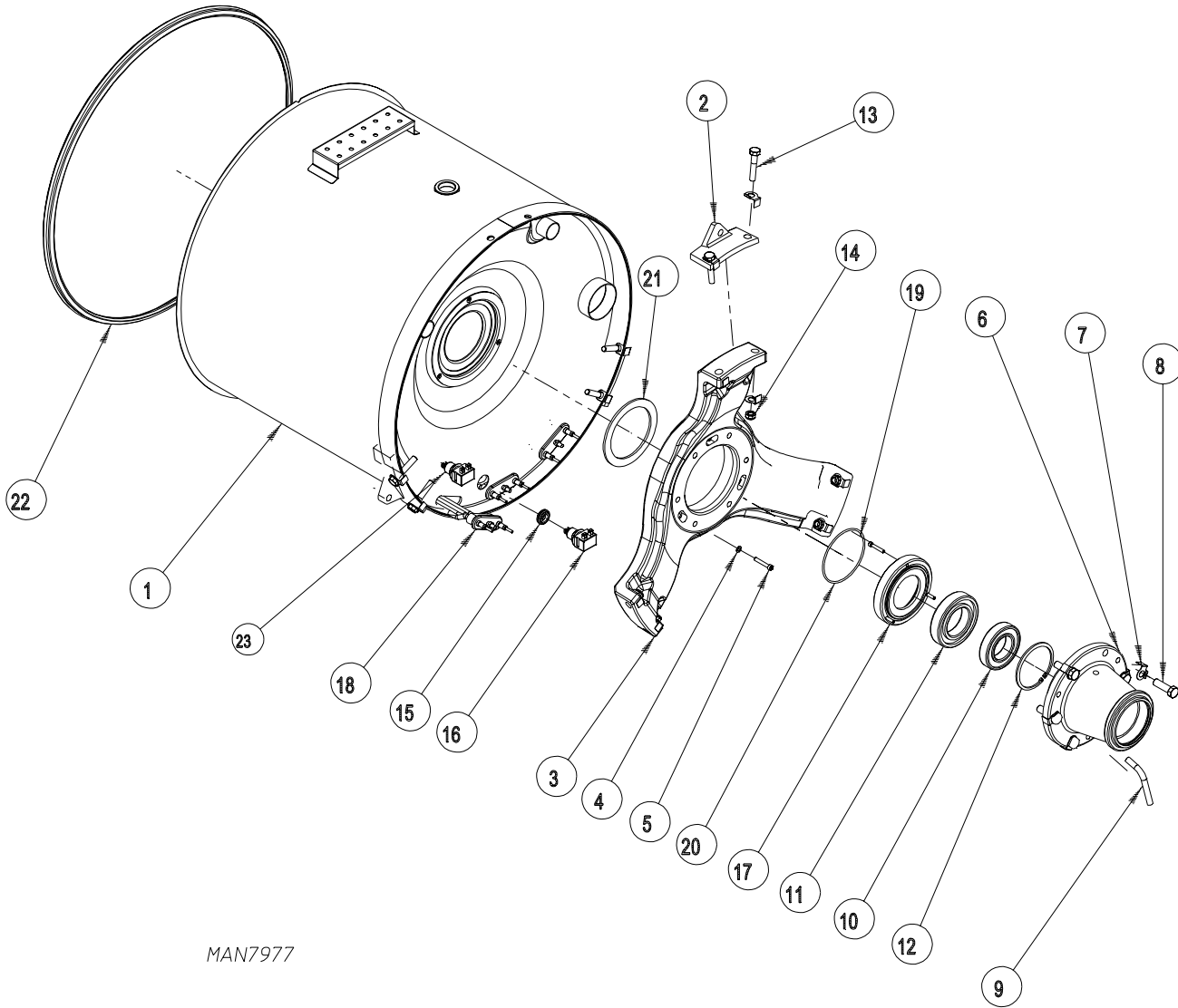
<u>Illus. No.</u>	<u>Part No.</u>	<u>Qty.</u>	<u>Description</u>
1	500597	1	Complete Drum EWR-40
	500598	1	Complete Drum EWH-40
	500599	1	Complete Drum EWR-60
	500600	1	Complete Drum EWH-60
2	500335	1	Pulley EWR-40, EWH-40, and EWR-60
	500601	1	Pulley EWH-60
3	500095	1	Belt for EWR-40
	500096	1	Belt for EWH-40
	500195	1	Belt for EWR-60
	500159	1	Belt for EWH-60
4	500338	1	V-Ring Va-85 Retainer EWR-40
	500581	1	V-Ring Va-95 Retainer EWH-40
	500337	1	V-Ring Va-80 Retainer EWR-60
	500606	1	V-Ring Va-100 Retainer EWH-60
5	500340	1	V-Ring Va-70 Retainer EWR-40
	500337	1	V-Ring Va-80 Retainer EWH-40
	500581	1	V-Ring Va-95 Retainer EWR-60
	500607	1	V-Ring Va-90 Retainer EWH-60
6	500342	1	Pulley Washer
7	500344	1	Cotter Pin
8	500345	1	Safety Washer
9	500346	1	Pulley Screw
10	500347	1	Washer A5
11	500323	1	Fan Washer A5 A.304
12	500324	1	Hex Bolt M5x15 A.304
13	500100	1	Motor for 40 pound Machines
	500124	1	Motor for 60 pound Machines
14	500610	2	Motor Support Tube for 40 pound Machines
	500611	2	Motor Support Tube for 60 pound Machines
15	500556	2	Motor Screw
16	500353	1	Motor Tensor
17	500354	1	Tensor Screw
18	500355	1	Magn. Sensor 230v Ac50/60hz UL

Soap Box and Drains

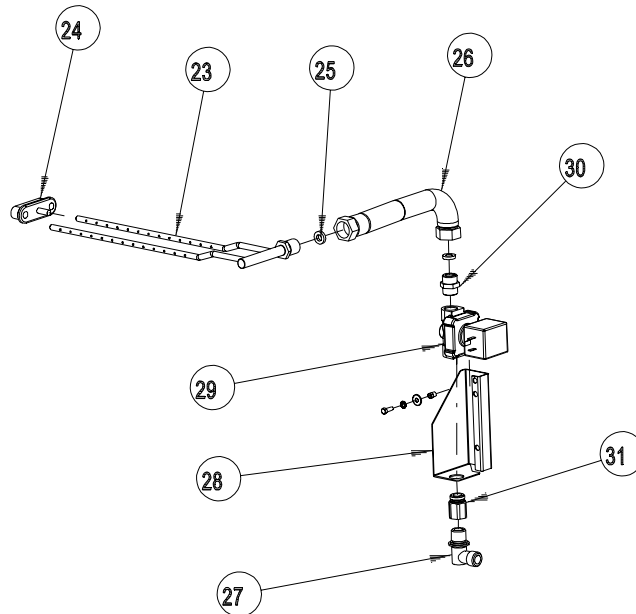


<u>Illus. No.</u>	<u>Part No.</u>	<u>Qty.</u>	<u>Description</u>
1	500614	1	Tray Pipe EWR-40 and EWH-60
	500615	1	Tray Pipe EWH-40
	500616	1	Tray Pipe EWR-60
2	500138	1	Detergent Tray
	500940	2	Detergent Tray Siphons
	500876	1	Wash / Prewash Tray Cover
	500877	1	Bleach / Softener Tray Cover
	500875	1	Tray Cover Axle
	500359	2	Detergent Tray Support
	500618	1	Tray Overflow Pipe EWR-40 and EWH-60
3	500619	1	Tray Overflow Pipe EWH-40
	500620	1	Tray Overflow Pipe EWR-60
	—	—	Vapor Outlet Elbow
4	500457	1	Vapor House
	500363	2	Sinfin 50-70I Clamp
5	500140	1	Manifold Box
	500365	1	Small Plug
	500366	1	Large Plug
	500153	1	1/2" Brass Plug
6	500458	1	Overflow Pipe EWR-40
	500621	1	Overflow Pipe EWH-40
	500622	1	Overflow Pipe EWR-60 and EWH-60
	500363	2	Sinfin 50-70I Clamp
7	500369	1	Full Output Drain
8	500623	1	Valve-Outlet Duct EWR-40 and EWR-60
	500624	1	Valve-Outlet Duct EWH-40
	500625	1	Valve-Outlet Duct EWH-60
9	500105	1	Drain Valve
	500371	1	Drain Valve Plug
10	500164	1	Drainage Pipe EWR-40 and EWH-40
	500373	1	Drainage Pipe EWR-60
	500560	1	Drainage Pipe EWH-60
11	500373	1	Tub Dispensing Pipe for EWR-40, and EWH-60
	500180	1	Tub Dispensing Pipe for EWH-40, EWR-60

Drum Assembly



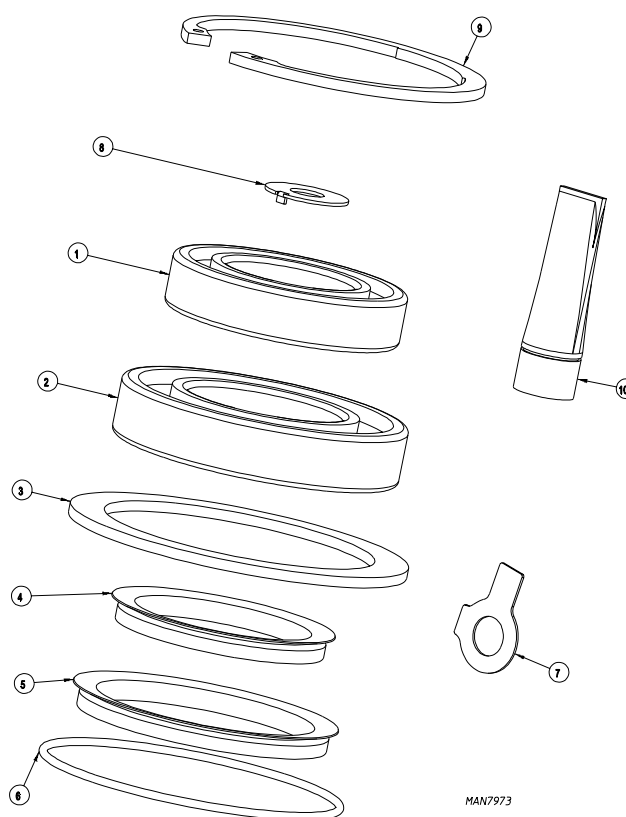
MAN7977



<u>Illus. No.</u>	<u>Part No.</u>	<u>Qty.</u>	<u>Description</u>
1	500488	1	Complete Tub EWR-40
	500490	1	Complete Tub EWH-40
	500492	1	Complete Tub EWR-60
	500528	1	Complete Tub EWH-60
2	500444	1	Screw Support EWR-40
	500491	1	Screw Support EWH-40 and EWR-60
	500530	1	Screw Support EWH-60
3	500445	1	Tub Base Reinforcement EWR-40
	500511	1	Tub Base Reinforcement EWH-40 and EWR-60
	500531	1	Tub Base Reinforcement EWH-60
4	500377	3	Washer
5	500378	3	Hexagonal Interior Reinforcement
6	500754	1	Bearing Support EWR-40 (for models mfd. as of October 15, 2013)
	500446	1	Bearing Support EWR-40 (for models mfd. prior to October 15, 2013)
	500755	1	Bearing Support EWH-40 and EWR-60 (for models mfd. as of October 15, 2013)
	500537	1	Bearing Support EWH-40 and EWR-60 (for models mfd. prior to October 15, 2013)
	500756	1	Bearing Support EWH-60 (for models mfd. as of October 15, 2013)
	500532	1	Bearing Support EWH-60 (for models mfd. prior to October 15, 2013)
	7	500380	–
	500646	–	Safety Washer EWH-40 and EWR-60
	500533	1	Safety Washer EWH-60
8	500551	6	Hexagonal Bolt M12x40 EWR-40
	500647	6	Hexagonal Bolt M12x55 EWH-40, EWR-60, and EWH-60
9	500382	1	Drainage Pipe
10	500453	1	Bearing EWR-40 and EWH-40
	500545	1	Bearing EWR-60
	500534	1	Bearing EWH-60
11	500449	1	Bearing EWR-40 and EWR-60
	500545	1	Bearing EWH-40
	500535	1	Bearing EWH-60
12	500456	1	Circlip EWR-40
	500589	1	Circlip EWH-40 and EWR-60
	500536	1	Circlip EWH-60
13	500386	6	Hexagonal Bolt 12x50 EWR-40, EWH-40, and EWH-60
	500521	6	Hexagonal Bolt 14x50 EWR-60
14	500387	6	Hexagon. Nut M5
15	500388	1	Thermostat Support
16	500087	1	Temperature Probe
17	500552	1	Counteseal Bushing EWR-40
	500592	1	Counteseal Bushing EWH-40 and EWR-60
	500540	1	Counteseal Bushing EWH-60
18	500967	3	Elements EWR-40 and EWR-60 (for models mfd. as of January 7, 2014)
	500229	3	Elements EWR-40 and EWH-40 (for models mfd. prior to January 7, 2014)
	500493	3	Elements EWR-60 and EWH-60

Drum Assembly

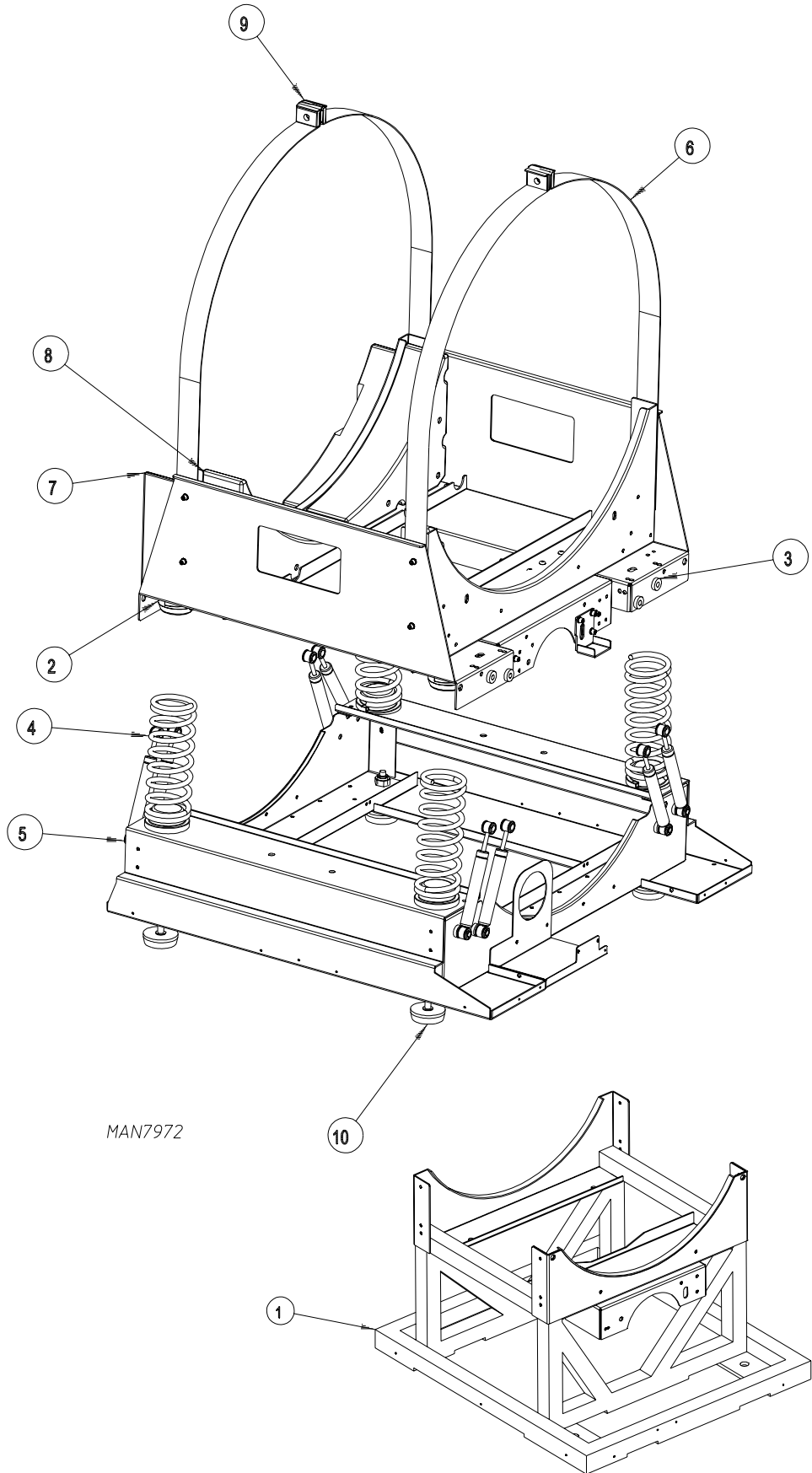
<u>Illus. No.</u>	<u>Part No.</u>	<u>Qty.</u>	<u>Description</u>
19	500391	3	Counterseal Bushing Screw
20	500405	1	O-Ring EWR-40
	500586	1	O-Ring EWH-40 and EWR-60
	500541	1	O-Ring EWH-60
21	500393	1	Seal Bushing EWR-40
	500648	1	Seal Bushing EWH-40 and EWR-60
	500542	1	Seal Bushing EWH-60
22	500315	1	Tub Seal EWR-40 and EWH-40
	500522	1	Tub Seal EWR-60
	500543	1	Tub Seal EWH-60
23	500395	1	Safety Thermostat 115°C UL (for models mfd. as of March 17, 2013)
	500109	1	Safety Thermostat 92°C UL (for models mfd. prior to March 17, 2013)
	500396	1	Safety Thermostat Support
24	500397	1	Injector Lock
25	500399	4	Steam Washer EWR-40 and EWH-40
	500495	4	Steam Washer EWH-60 and EWH-60
26	500555	1	Vapor Hose EWR-40, EWH-40, and EWR-60
	500523	1	Vapor Hose EWH-60
27	500554	1	Brass Bend EWR-40 and EWH-40
	500526	1	Brass Bend EWR-60 and EWH-60
28	500403	1	Valve Support EWR-40 and EWH-40
	500526	1	Valve Support EWR-60 and EWH-60
29	500402	1	Steam Valve EWR-40 and EWH-40
	500230	1	Steam Valve EWR-60 and EWH-60
30	500401	1	Double Bushing 1/2 EWR-40 and EWH-40
	500264	1	Double Bushing 3/4 EWR-60 and EWH-60
31	500404	1	Fitting 1/2 EWR-40 and EWH-40
32	500398	1	Steam Jet EWR-40 and EWH-40
	500494	1	Steam Jet EWR-60 and EWH-60



MAN7973

<u>Illus. No.</u>	<u>Part No.</u>	<u>Qty.</u>	<u>Description</u>
1	500448	1	Bearing EWR-40
	500449	1	Bearing EWH-40 and EWR-60
	500656	1	Bearing EWH-60
2	500449	1	Bearing EWR-40
	500545	1	Bearing EWH-40 and EWR-60
	500546	1	Bearing EWH-60
3	500657	1	Seal Bushing EWR-40
	500658	1	Seal Bushing EWH-40 and EWR-60
	500659	1	Seal Bushing EWH-60
4	500338	1	V-Ring Va-85 Retainer EWR-40
	500581	1	V-Ring Va-95 Retainer EWH-40 and EWR-60
	500582	1	V-Ring Va-100 Retainer EWH-60
5	500340	1	V-Ring Va-70 Retainer EWR-40
	500337	1	V-Ring Va-80 Retainer EWH-40 and EWR-60
	500585	1	V-Ring Va-90 Retainer EWH-60
6	500405	1	O-Ring 114x3 EWR-40
	500586	1	O-Ring 128x3 EWH-40 and EWR-60
	500587	1	O-Ring 150x3 EWH-60
7	500380	8	Safety Washer EWR-40
	500646	8	Safety Washer EWH-40 and EWR-60
	500639	8	Safety Washer EWH-60
8	500588	1	Safety Washer Pulley
9	500456	1	Circlip 90 EWR-40
	500589	1	Circlip 110x4 EWH-40 and EWR-60
	500590	1	Circlip 130 EWH-60
10	500591	1	Grease Seals
—	500089	1	Bearing Kit for EWR-40
—	500090	1	Bearing Kit for EWH-40 and EWR-60
—	500091	1	Bearing Kit for EWH-60

Frame and Support



MAN7972

<u>Illus. No.</u>	<u>Part No.</u>	<u>Qty.</u>	<u>Description</u>
1	500474	1	Frame EWR-40
	500475	1	Frame EWH-40
	500476	1	Frame EWR-60
	500479	1	Frame EWH-60
2	500478	8	Spring Base EWH-60 and EWH-40 (for models mfd. as of July 15, 2013)
	500417	8	Spring Base EWH-40 (for models mfd. prior to July 15, 2013)
3	500418	16	Damper Bushing
4	500580	4	Spring EWH-40
	500480	4	Spring EWH-60
5	500084	8	120n Shock for EWH-40
	500086	8	140N Shock for EWH-60
6	500482	1	Cradle EWH-40
	500483	1	Cradle EWH-60
7	500484	2	Counterweight EWH-40
	500485	2	Counterweight EWH-60
8	500486	2	Counterweight EWH-40
	500487	2	Counterweight EWH-60
9	500428	4	Clamp Fastening
10	500141	4	Leg EWH-40 and EWH-60

